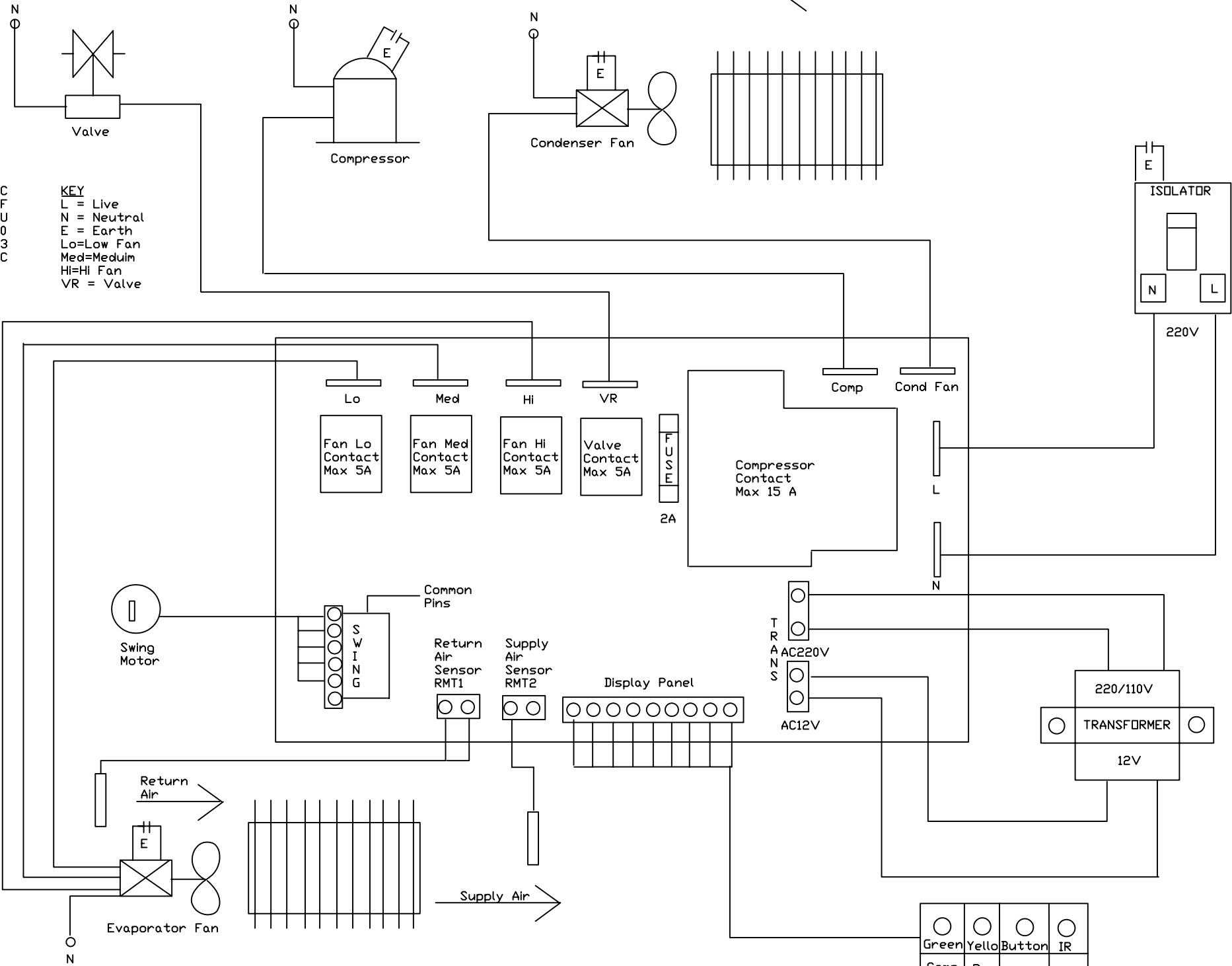


← Air Flow



C
F
U
O
3
C

KEY
 L = Live
 N = Neutral
 E = Earth
 Lo=Low Fan
 Med=Medium
 Hi=Hi Fan
 VR = Valve

Lo Med Hi VR

Fan Lo Contact Max 5A
 Fan Med Contact Max 5A
 Fan Hi Contact Max 5A
 Valve Contact Max 5A

FUSE
2A

Compressor Contact Max 15 A

Comp Cond Fan

ISOLATOR

N L

220V

220/110V
 TRANSFORMER
 12V

TRANS
 AC220V
 AC12V

Display Panel

Common Pins

Return Air Sensor RMT1

Supply Air Sensor RMT2

Swing Motor

Return Air

Supply Air

Green	Yellow	Button	IR
Comp Run	Pwr ON	Auto	